

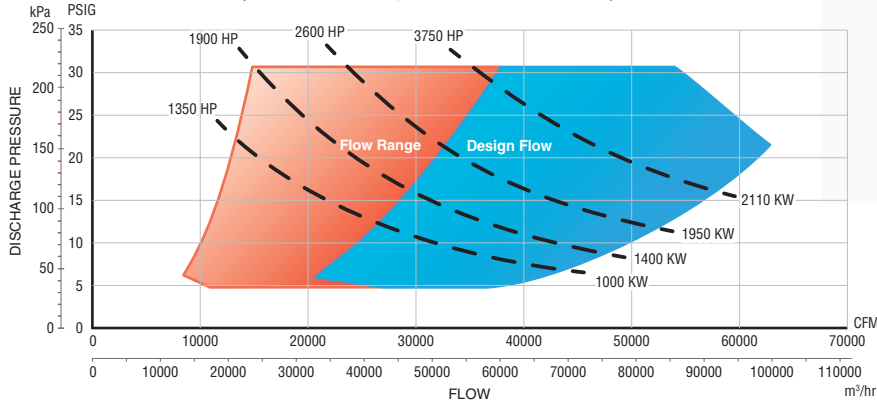
# GL-TURBO

GL-30

Geared Turbo Blower

## PRESSURE PERFORMANCE

(Based on 1 Atmosphere, 68F/20°C, 36% RH)



**Combined Inlet and Discharge Guide Vane Control for Maximum Flow Range**

### Standard Specifications

Flow Capacity .....	See Performance Chart
Gas .....	Air, Steam, H <sub>2</sub> S, Biogas or custom gas configuration
Flow Range .....	100% to 45% of rated flow with combination control
Pressure Range .....	20-200 kPag, 5-30 PSI
Power Range .....	1000 -2750 kw, 1350 -3700 hp
Standards .....	API 617, API 672, API 614 on request
Perform. Test Procedure .....	ISO 5389, ASME PTC10, ASME PTC13
Balance Procedure .....	ISO 1940/1 Gr. 2.5
Quality .....	ISO 9001, ISO 14001
Noise Level .....	91 – 95 dB(A) without enclosure 75 – 78 dB(A) with enclosure
Vibration .....	< 2.8 mm/s per ISO 10816-1
Gearbox .....	Helical gear sets
Bearings .....	Hydrodynamic bearings, tilting pad type on pinion shaft
Seal Arrangements .....	Labyrinth, Carbon Ring, Mechanical
Control System Options .....	Combination inlet and discharge guide vane, Variable diffuser vane, Variable inlet guide vane, Variable speed control or Blow off control

### Standard Package

PLC .....	Siemens S7* / Allen Bradley Compact Logix*
HMI .....	Siemens TP900 / Allen Bradley 2711
Pressure Sensors .....	IP55 4-20mA transducers
Temperature Sensors .....	IP55 4-20mA transducers
Inlet Filter/Silencer .....	GLT designed 99% at 5 microns
Expansion Joint .....	DIN EN 1092 / 150# Flanged
Silenced Discharge Cone .....	Fabricated and painted
Local Control Panel .....	IP56, IP65 / NEMA 12, NEMA 4X or custom
Blower Driver .....	Electric induction motor 2 pole 50/60 Hz, steam-turbine, combustion engine
Total Weight .....	(See chart on back side)
Discharge Velocity .....	20 m/s , 65.6 ft/s
Standard Color .....	RAL 5005 (signal blue)
Oil Cooling .....	Air or external liquid to oil
Oil Pump Type / Capacity .....	N340HVB 210L/min, 55G/min
Oil Filter Type .....	HYDAC LPF BN/HC 280 G E 20 C 1.2/-A2-B3
Oil Type .....	ISO VG46 Retention time 5 min

### Material Specifications

Casing:	
Volute and Gearbox .....	Grey iron GGG40
Inlet/ Discharge	
Guide Vanes .....	Stainless steel 304
Impeller .....	Aluminum Alloy, Stainless, Titanium
Gears .....	High tensile alloy steel 20CrNiMo
High Speed /	
Low Speed Shaft .....	High tensile alloy steel 20CrNiMo
Bearings .....	Alloy steel with white PAP alloy
Coupling .....	Alloy steel 40Cr
Filter Material .....	Synthetic fiber
Enclosure .....	Galvanized steel
Base Frame .....	Structural steel
Machine Mounts .....	St. SIS 1312 for inertial damping with rubber hardness 60

### Safety Monitoring

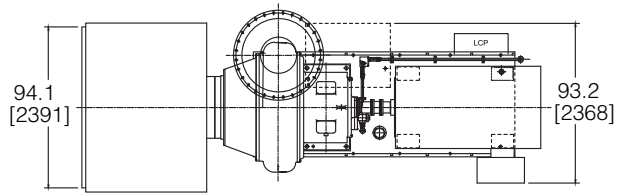
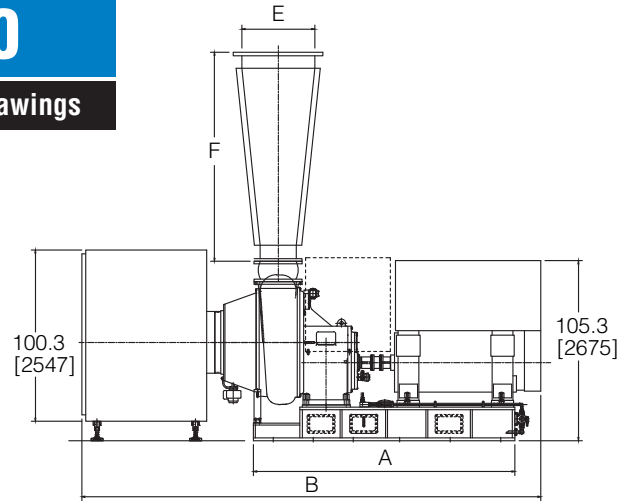
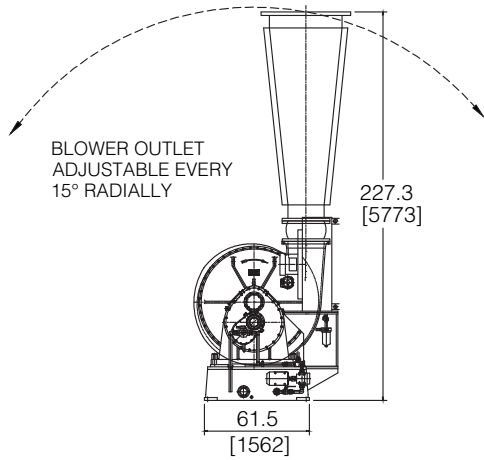
Surge .....	Anti surge switch
Temperature .....	Inlet, oil reservoir, oil cooler, enclosure
Oil Pressure, Oil Level .....	Oil reservoir
Delta Pressure .....	Inlet and outlet

### Auxiliaries

Electrical Actuators .....	Electric modulated IP67 with positional control
Blow Off Valve .....	DN350 / 14" ANSI
Cooling Fan .....	IP55 50/60 HZ
Check Valve .....	Dual plate
Flange .....	DN600 / 24" ANSI
Inner Diameter .....	(No Flange) Ø918

# GL-30

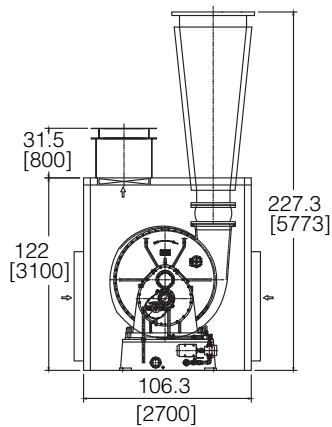
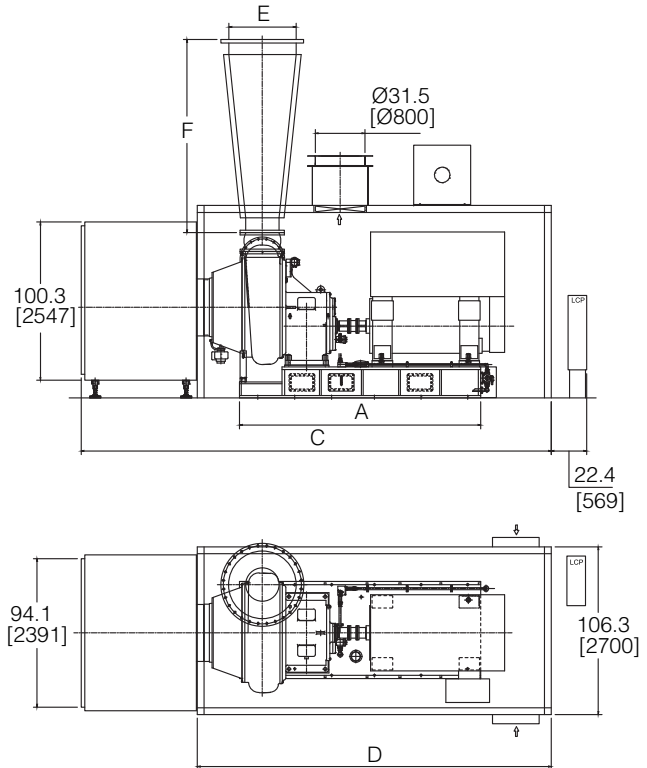
## Dimensional Drawings



### Standard Configuration

Motor HP (KW)	A IN (MM)	B IN (MM)	C IN (MM)	D IN (MM)	E ANSI (DIN)	F IN (MM)	Weight LBS (KG)
1350 (1000)	153.0 (3886)	267.2 (6790)	282.3 (7170)	219.5 (5575)	36 (900)	98.4 (2500)	24251 (11000)
					42 (1050)	122.4 (3100)	
1900 (1400)	153.0 (3886)	267.2 (6790)	282.3 (7170)	219.5 (5575)	36 (900)	98.4 (2500)	26774 (12144)
					42 (1050)	122.4 (3100)	
2600 (1950)	158.0 (4013)	274.7 (6977)	286.3 (7272)	227.5 (5778)	36 (900)	98.4 (2500)	26768 (13048)
					42 (1050)	122.4 (3100)	
3750 (2110)	158.0 (4013)	274.7 (6977)	286.3 (7272)	227.5 (5778)	36 (900)	98.4 (2500)	30510 (13839)
					42 (1050)	122.4 (3100)	

### With Sound Enclosure



# GL-TURBO

info@glturbo.com  
www.glturbo.com